



35 Degrees Infinite Storage Mechanism

LINKREST is one of the leading 35 degrees infinite storage mechanism manufacturers and suppliers in China. This 35 degrees infinite storage mechanism is suitable for double or single lift storage bed or sofa corner seat storage. It has a good storage function and saves room storage space. The standard power of each air spring air strut is 300N, and we can customize the power of the air strut.

Product Description

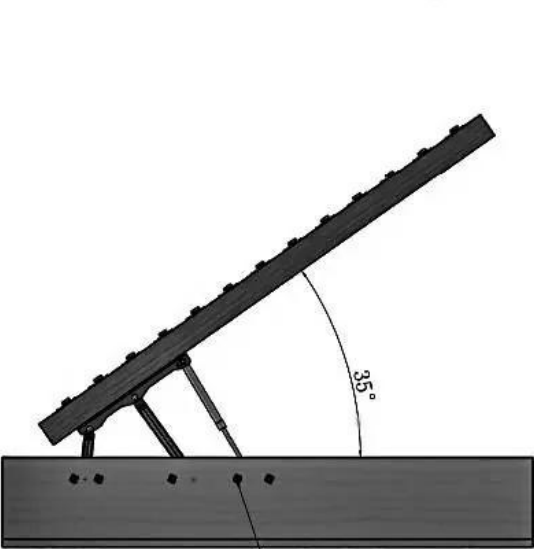
Lift Storage Bed Mechanism Hinges

LINKREST is one of the famous **35 Degrees Infinite Storage Mechanism** manufacturers and suppliers in China. We regularly offer 8 series Bi-fold sofa sleeper mechanism, 6 series of Tri-fold sofa bed mechanism, 5 one-step or one-action Italian function sofa bed mechanism, 9 version of pull-out pop-up sofa bed mechanisms, 7 models of drawing-out sliding sofa bed mechanisms, four click clacks futon mechanisms, five adjustable sofa bed mechanisms and swivel sofa bed mechanisms. Each mechanism has its own unique sets of features and benefits of elegance, comfort, durability and safety with excellent performance for residential and hospitality use.

35 Degrees Infinite Storage Mechanism Features & Benefits:

1. This is for twin or single size lift storage bed or for sofa corner seat storage, the standard power of gas strut is 300N for each gas spring.
2. The power of gas strut can be customerized, it depends on the total weight of mattress & top bed frame.
3. Heavy duty steel and reinforced ribs for rigidity and synchronizatin, and won't be bend.
4. Fully assembled to one piece for ease in installation.
5. Suitable for sofa storage or bed storage design.

35 Degrees Infinite Storage Mechanism Details:



5 x M6 T-nuts here

